

The Idle Free exterior frame mounted modules require mounting Brackets or aluminum mounting Clips so as to be able to clamp or attach onto the truck's frame.

Two frame mounting options are available.

The Standard Kit includes hardware and mounting brackets.

The Frame Clip kit includes 4 aluminum frame clips and the needed hardware.

IFS Part #91701 & #91702

91701 - Mount Kit, Standard

91702 - Mount Kit, Aluminum Frame Clips, (4 each)

91701

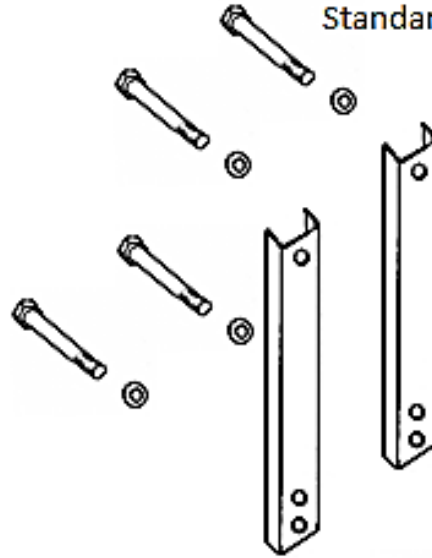
The IFS Standard Mount Kit Clamps the APU to the Truck's Frame using 2 steel channels.

The Standard Mounting Kit includes:

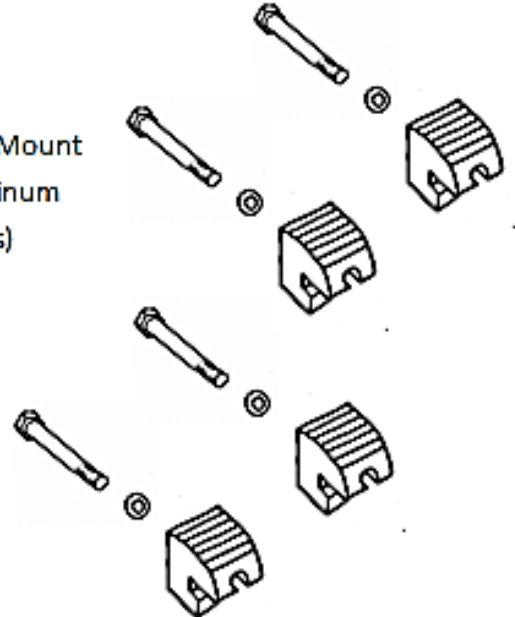
1. Two Steel Channels
2. Four 5.5" (5/8") GR8 Bolts
3. Four (5/8") GR8 Washers

The Idle Free APU uses weld nuts (on the APU's frame) to receive the 5.5" GR8 mounting bolts, no frame drilling is required.

91701 - The IFS Standard Mount Kit



91702 - The IFS Mount Kit (with Aluminum Frame Clips)



91702

The IFS Mount Kit (with Aluminum Frame Clips) is used on mounting applications where obstacles prevent the use of Standard Frame Brackets.

The Idle Free Mount Kit using Aluminum Frame Clips includes:

1. Four Aluminum Frame Clips
2. Four 6.0" (5/8") GR8 Bolts
3. Four (5/8") GR8 Washers

The Idle Free APU uses weld nuts (on the APU's frame) to receive the 6.0" GR8 mounting bolts, no frame drilling is required.