

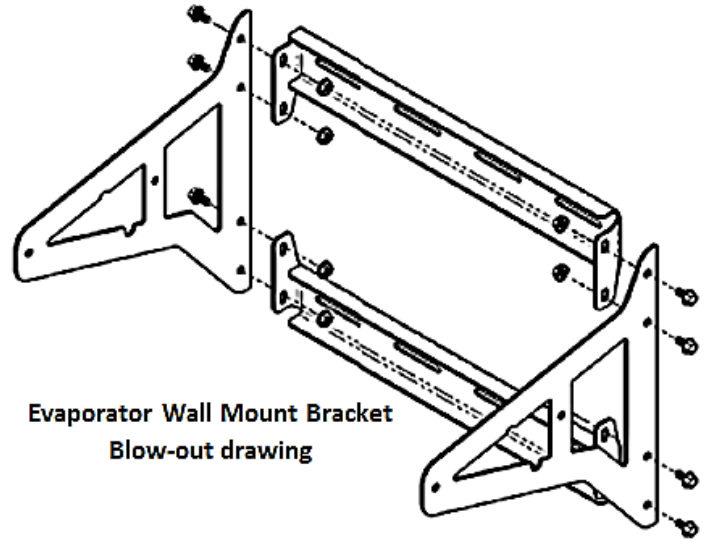
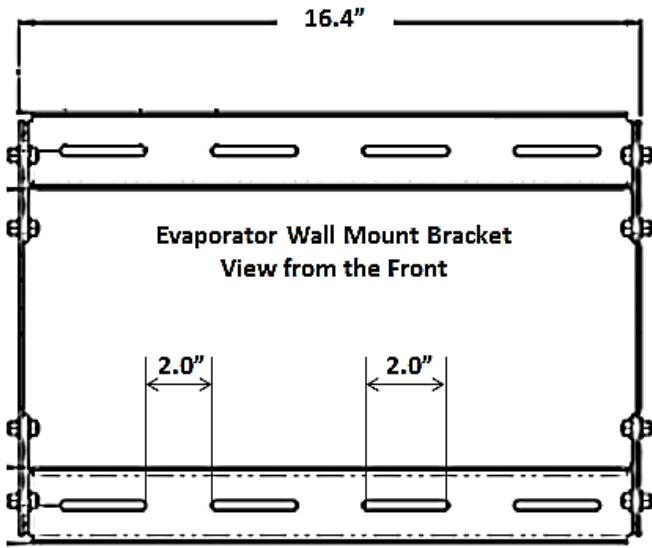
IFS Part #91904

Bracket Kit, Evaporator Wall Mount

The Evaporator Wall Mount bracket is used when the Idle Free Evaporator will be located on the side wall of the bunk or closet.

The evaporator mounting bracket is attached to the closet wall using bolts, nuts, and washers.

The evaporator mounting bracket is attached to the bunk wall using bolts, Riv-nuts, and washers.



Evaporator Wall Mount Bracket

