



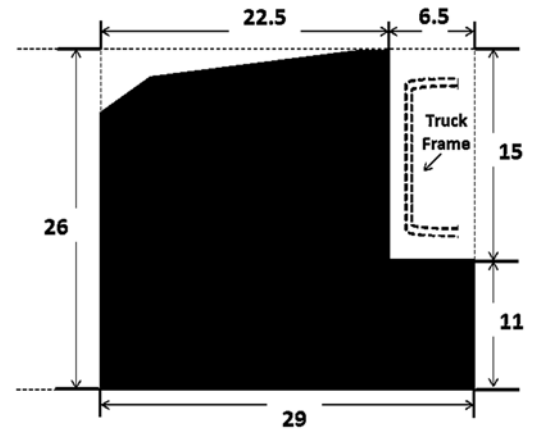
IFS Part #91001

APU, Standard

Description

The Standard APU mounts on the frame rail of the truck.
 The IFS Frame mounted APU requires at least 20 inches of open frame rail space along with 24 inches of clearance between the fuel tank and the rear ¼ fenders.
 The Standard APU extends under the frame of the truck 5 inches.

APU SIDE VIEW



IFS Part #91002

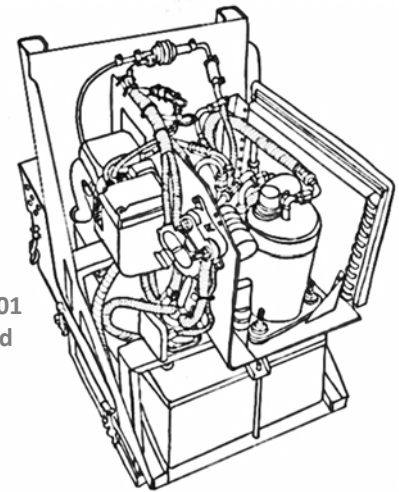
APU, No Coolant Heater

The APU, no coolant heater, has the air conditioner (only) located on the upper level.
 This unit uses the same enclosure as Kit #91001.
 A bank of 4 AGM batteries is located on the lower level of the APU.

IFS Part #91003

APU, No Batteries

The APU, no batteries, includes an air conditioner and a water heater located on the upper level.
 This unit does not have AGM batteries in the lower level.
 This option allows the customer to install their own AGM batteries or use the lower level of the APU for storage



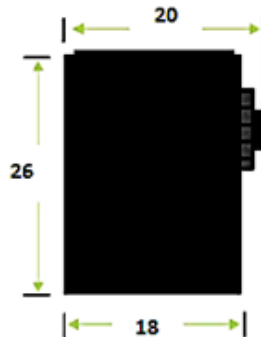
IFS Part #91001
 APU, Standard

IFS Part #91004

APU, No Heat, No Batteries

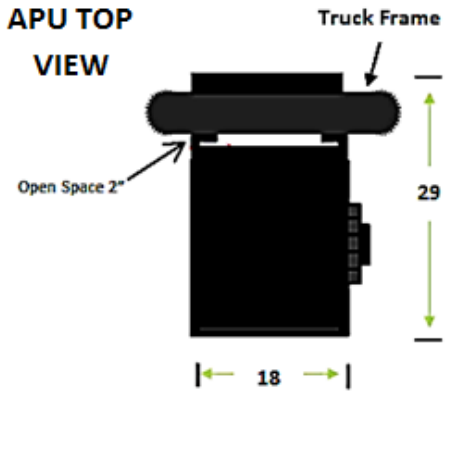
The APU, no heat, no batteries includes an air conditioner only and an open battery box below.
 The open area can be used for customer batteries or for storage.

APU FRONT VIEW



Allow at least 22 inches, for the APU, between truck frame mounted components

APU TOP VIEW



HVAC, Standard

IFS #91005
HVAC, Standard

IFS #91006
HVAC, No Heat

The HVAC Standard Unit includes an air conditioner and a water heater.
 The HVAC, "No Heat Unit" has an air conditioner only.
 The 91005 units & the 91006 units do not contain AGM batteries within their enclosures.

The HVAC Standard & the HVAC, No Heat units allow the customer to locate a battery box away from the APU, in another area of the truck.

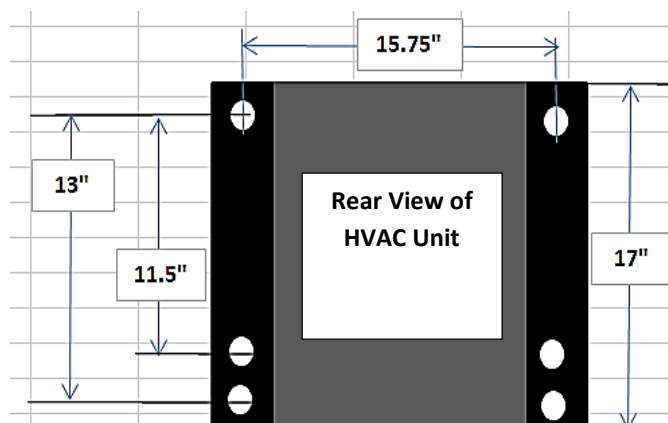
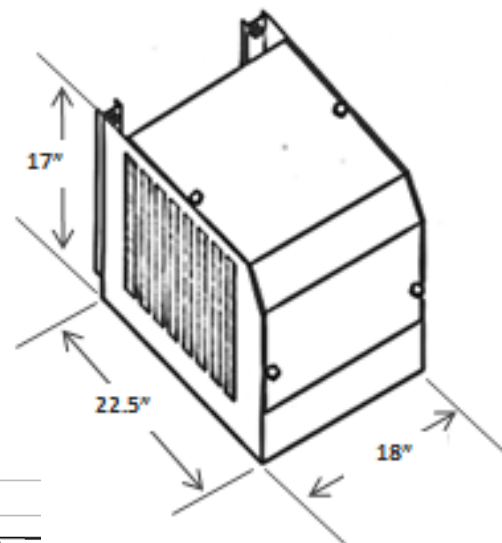
Two Idle Free battery Box Kits are available for use with the HVAC Standard Unit and the HVAC, No Heat systems:

- A. #91101 (Page 7)
- B. #91102 (Page 8)

Both of these battery box enclosures are made from aluminum and contain 4 each Group 31, AGM batteries.
 Please look at the space requirements for the frame mounted HVAC units.



HVAC Unit
 (No Batteries)
 Available with or without a
 coolant heater



SlimLine Compact APU



IFS #91007

SlimLine Compact APU

No heater or batteries

The SlimLine Compact APU enclosure includes an air conditioner only.

Unit #91007 does not contain AGM batteries.

Unit #91007 does not include a coolant heater

The SlimLine Compact APU requires the customer to locate a battery box away from the APU, in another area on the truck's frame.

Two Idle Free battery Box Kits are available for use with the SlimLine Compact APU:

A. #91101 (Page 7)

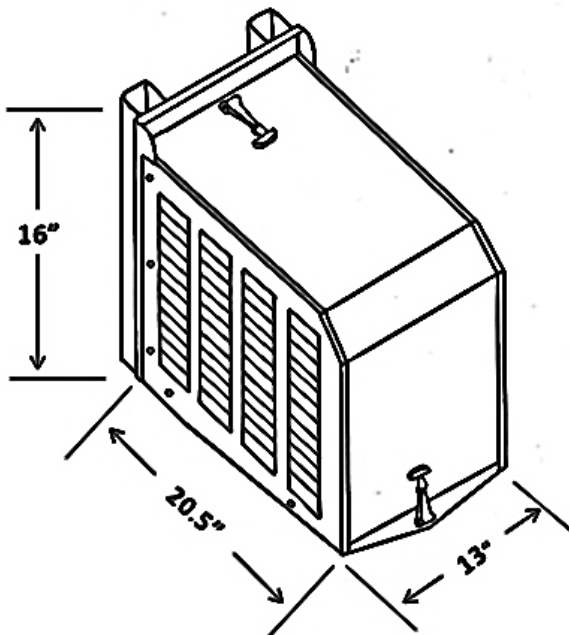
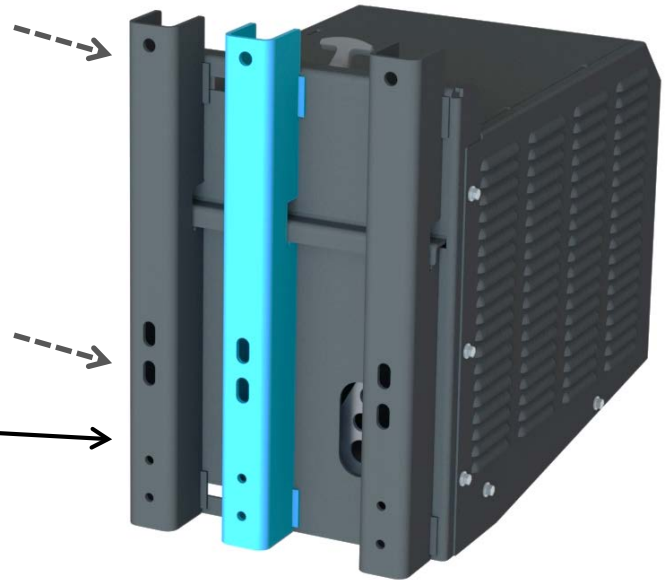
B. #91102 (Page 8)

Both of these battery box enclosures are made from aluminum and contain 4 each Group 31, AGM batteries.



The SlimLine Compact APU uses 2 each, "Hang & Hook" Frame brackets. These Brackets allow the SlimLine Compact unit to be quickly installed, by a single person.

This (only) Hang & Hook Bracket can be positioned up to 5 inches toward the center of the APU allowing improved ease of frame



The SlimLine Compact APU is smaller in width than the HVAC unit and smaller in width and height than the APU unit.